

# BLOOM X1



## **INDEX**

<b>I</b>	<b>PRODUCT MAIN FEATURES .....</b>	<b>01</b>
<b>II</b>	<b>OVERVIEW AND DIMENSIONS .....</b>	<b>02</b>
<b>III</b>	<b>SAFETY INFORMATION .....</b>	<b>02</b>
<b>IV</b>	<b>POWER CONNECTION .....</b>	<b>03</b>
<b>V</b>	<b>CONTROL PANNEL .....</b>	<b>05</b>
<b>VI</b>	<b>DMX PROTOCOL .....</b>	<b>08</b>
<b>VII</b>	<b>TECHNICAL SPECIFICATION .....</b>	<b>18</b>

Thankyou for using our product! Please read this manual carefully and completely. For technical reference in future, please keep this user manual well. This user manual contains all installation and operation information of this colorful LED Cyclorama Light, it's very useful for user to install and operate the light. Please strictly abide by the relevant instruction for the installation and operation.

This LED cyclorama light adopts plate material shell made with beautiful shape, high efficiency and energy saving, durability, it is suitable for indoor use. This product strictly according to CE standard design and production, complete with international standard DMX512 agreement, both single machine control, also can be controlled by connected with, suitable for large art performance, theatres, studio, discos and other places of use. It's special designed for the stage curtain, wall wash and other using. It's widely used for touring performance, construction, lighting, theater, discos, bars and other entertainment places.

This light meets the following criteria:

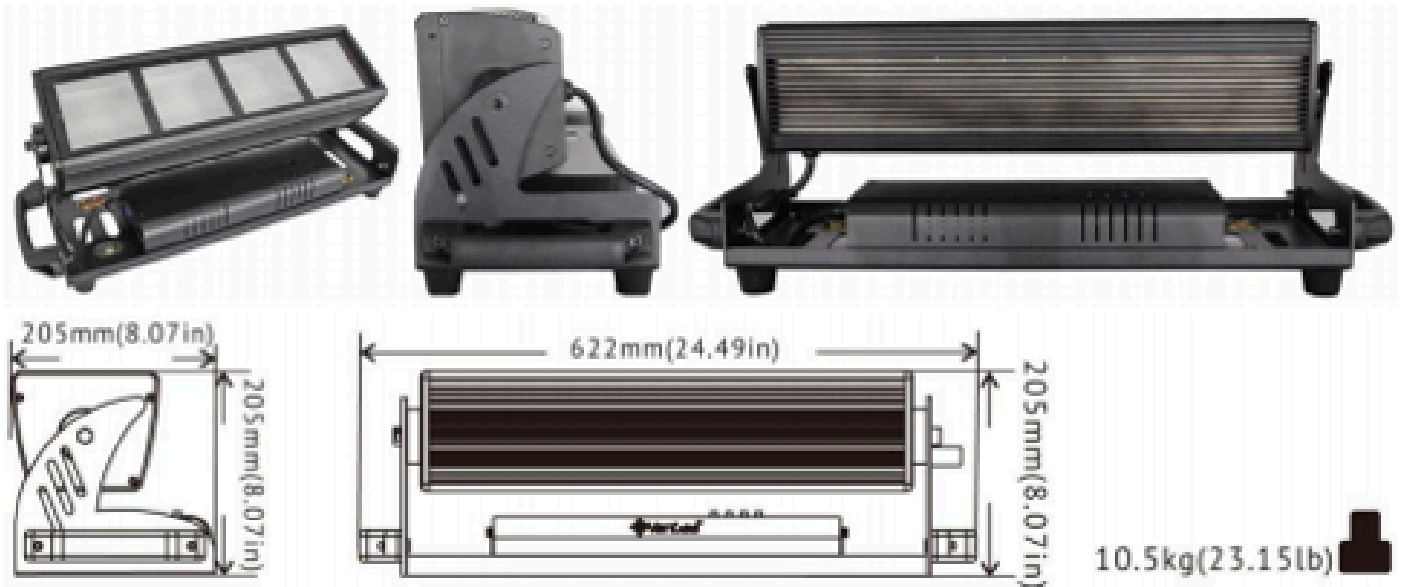
GB7000.1-2007/IEC60598-1:2003

GB7000.217-2008/IEC60598-2-17:1984+A2:1990

## I PRODUCT MAIN FEATURES

- 7CH, 11CH, 14CH, 22CH, 5CH, 9CH DMX control channels, LCD display control panel;
- DMX512, Sound active, auto-run and master/slave four kinds control mode;
- IP20 protect rating;
- With strobe stage effect;
- Long lifespan high brightness LEDs can reach to 50,000hours;
- High-efficiency, power-saving, low heat.

## II OVERVIEW AND DIMENSIONS



All dimensions are in millimeters

## III SAFETY INFORMATION

### ⚠Important

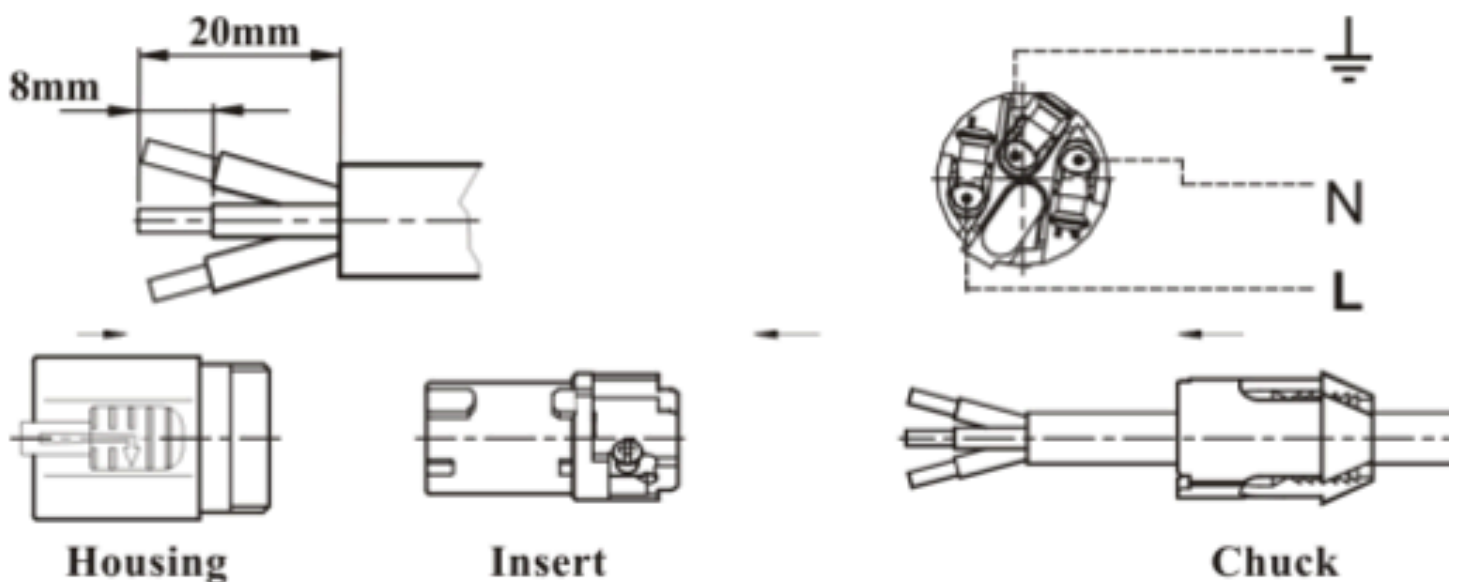
Every person involved with the installation, operation and maintenance of this device has to be qualified and follow the instructions of this manual. Manufacturer will not with responsibility for those operations which are not according to this Instruction.

- Verify that the voltage matches the rated voltage.
- When the voltage is 110V , Do not connect more than 10 lightings in total to AC mains power in one interconnected daisy chain
- When the voltage is 220V , Do not connect more than 20 lightings in total to AC mains power in one interconnected daisy chain
- Before using the fixture, check that all power distribution equipment and cables are in perfect condition and rated for the current requirements of all connected devices.
- Always ground (earth) the fixture electrically.
- Avoiding hit the Light when you are move or install the light.
- The minimum distance between light-output and the illuminated surface must be more than 0.5 meters. Keep all combustibile materials (for example fabric, wood,

- paper) at least 0.2 meters away from the fixture.
- Do not expose the fixture to rain or moisture.
- Avoid looking directly into the light source (especially those who suffer from epileptic fits)
- Maximum ambient temperature ( $T_a$ ) is  $40^{\circ}\text{C}$ . Do not operate fixture at temperatures higher than this.
- The Maximum surface temperature is  $50^{\circ}\text{C}$
- When suspending the fixture above ground level, verify that the structure can hold at least 10 times the weight of all installed devices.
- Verify that all external covers and rigging hardware are securely fastened and use an approved means of secondary attachment such as a safety cable.

## IV POWER CONNECTION

### INSTALLING A NENUTRIK CONNECTOR ON A POWER CABLE



Put bushing and chuck onto the cable.

Prepare cable as shown above. The power cable must be a three-conductor  $2.5\text{mm}^2$  cable.

Insert the wire into the terminals and fasten the clamping device by a flat screw driver.

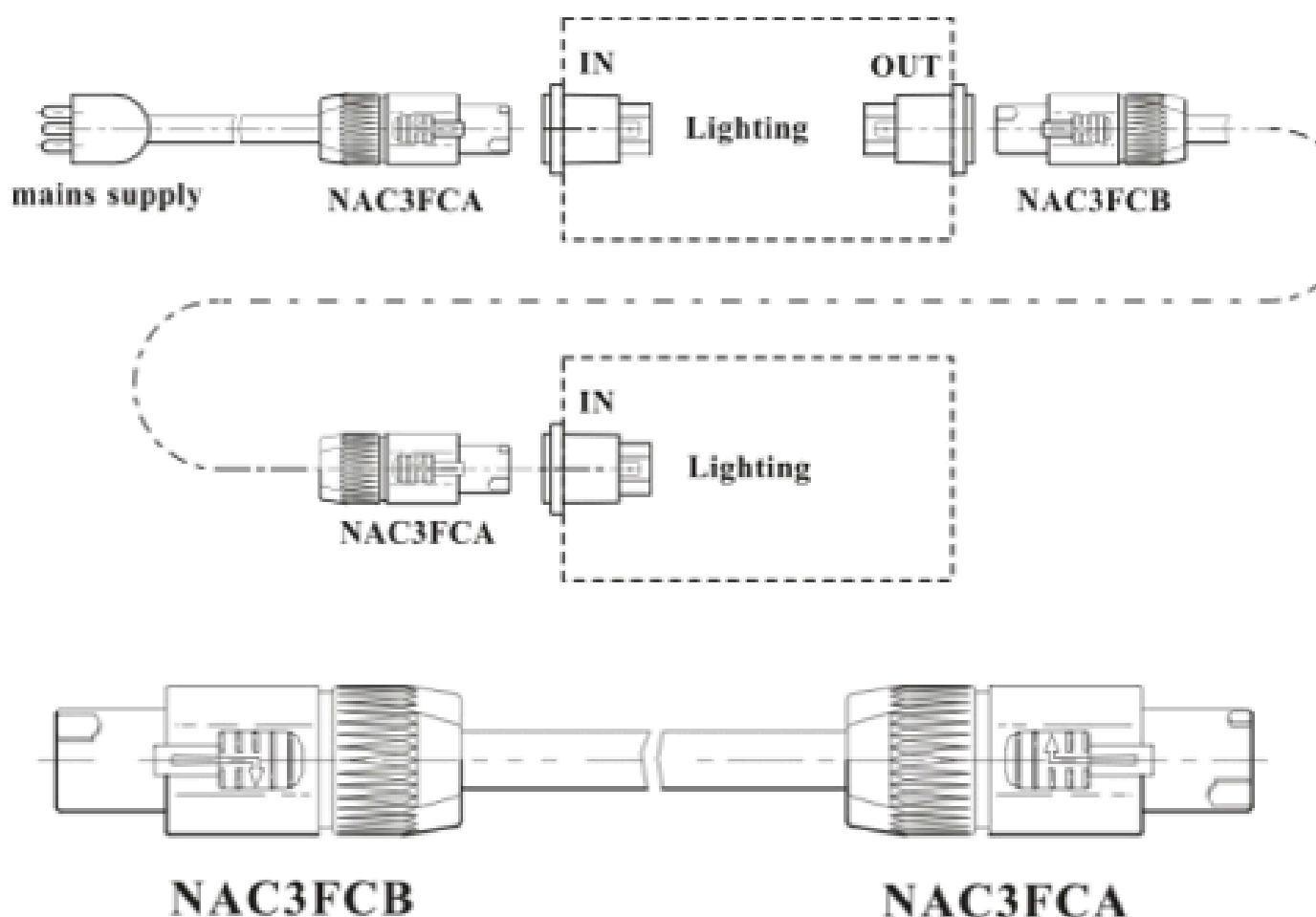
Push insert and chuck into housing (pay attention to the guiding keyway).

Fasten bushing.

The color-coding schemes and some possible pin identification schemes; if pins are not clearly identified, or if you have any doubts about proper installation, consult a qualified electrician.

### RELAYING POWER TO OTHER DEVICES


The lightings can be linked in a chain by power cables which installed a blue and a light-gray connectors on the two ends. The light-gray connector connects to the power out socket of the first lighting, and the blue connector connects to the power in socket of the subsequent lighting, and so on.



The power cable must be a three-conductor 2.5mm<sup>2</sup> cable.

When the voltage is 110V, Do not connect more than 10 lightings in total to AC mains power in one interconnected daisy chain.

When the voltage is 220V, Do not connect more than 20 lightings in total to AC mains power in one interconnected daisy chain.

Wirecolor	Conductor	Symbol
Brown	Live	L
Blue	Neutral	N
Yellow/green	ground	

## PHYSICAL INSTALLATION

This lighting can be placed on a horizontal surface such as a stage or clamped to a truss or similar rigging structure in any orientation using a rigging clamp.

When suspending the fixture above ground level, verify that the structure can hold at least 10 times the weight of all installed devices.

Verify that all external covers and rigging hardware are securely fastened and use an approved means of secondary attachment such as a safety cable.

## V CONTROL PANNEL

### BUTTON



**MENU** Call the main menu, or escape the current menu, (i.e. return to the upper menu and give up the selected item or parameter).

**UP** Browse the menu item forward or increase the parameter.

**DOWN** Browse the menu item backward or decrease the parameter.

**ENTER** Confirm the selected item or parameter, (i.e. enter into the next menu, or escape the current menu and save the selected item or parameter).

### MAIN MENU

The way into the menu as below:

1. Press **ENTER** when the display show the title information;
2. Press **UP** or **DOWN** button to choose the right menu which you need;
3. Press **ENTER** into the menu;
4. Press **UP** and **DOWN** button to set the parameter or setting;
5. Press **ENTER** to save the setting;
6. Press **MENU/SET** button to back.

### MENU MAP

01.Address	01.Address = ***		
02.Reset	01.Reset = No		
	02.Reset = Yes		
03.Mode	01.(**CH)HSIC		
	02.(**CH)SSP		



	03.(**CH)TOUR		
	04.(**CH)TOUR 16		
	05.(**CH)PIXEL 1		
	06.(**CH)PIXEL 2		
	07.(Alone)Auto		
	08.(Master)Auto		
	09.(Alone)Scene	01.Red =***	
		02.Green =***	
		03.Blue =***	
		04.Lime =***	
		05.Amber =***	
		06.Cyan =***	
		07.DeepBlue =***	
		08.Strobe =***	
	10.(Master)Scene	01.Red =***	
		02.Green =***	
		03.Blue =***	
		04.Lime =***	
		05.Amber =***	
		06.Cyan =***	
		07.DeepBlue =***	
		08.Strobe =***	
04.Language	01.English		
	02.Chinese		
05.Option	01.DMX Lost Set	01.Clear Value	
		02.Hold Value	
	02.Reverse Display	01.Off	
		02.On	
	03.DisplayDelayOff	01.Off	
		02.On	
06.Setup	01.Password	= 008	
	02.Dimmer rate	= 1800Hz	
		= 2500Hz	
		= 7200Hz	
		= 25000Hz	
	03.Dimmer speed	= OFF	
		= Dim Speed 1 Fast	
		= Dim Speed 2	
		= Dim Speed 3	
		= Dim Speed 4 Slow	

	04.CT Adjust	01.2700K	01.Red =***
		02.3000K	02.Green =***
		03.3200K	03.Blue =***
		04.4000K	04.Lime =***
		05.4200K	05.Amber =***
		06.4500K	06.Cyan =***
		07.5600K	07.DeepBlue =***
		08.6000K	
		09.6500K	
		10.7200K	
		11.8000K	
07.Reset Default	01.No		
	02.Yes		
08.Information	1.Temperature T1=***C T2=***C		
	2.Used time=*****H		
	3.ID =***** *****		
	4.Version=*.***		

## VI DMX PROTOCOL

### HSIC (7CH) MODE

CH	Name	Value	Function
CH1	Intensity	000←→255	Intensity
CH2	Hue	000←→255	Hue
CH3	Hue Fine	000←→255	Hue Fine
CH4	Saturation	000←→255	Saturation
CH5	Color Temperature	000←→010	No Function
		011←→030	2700K
		031←→050	3000K
		051←→070	3200K

		071↔090 091↔110 111↔130 131↔150 151↔170 171↔190 191↔210 211↔230 231↔255	3500K 4000K 4200K 4500K 5600K 6000K 6500K 7200K 8000K
CH6	Strobe	000↔009 010↔099 100↔109 110↔179 180↔189 190↔255	No Function Strobe from slow to fast (0-25Hz) No Function Lightning strobe No Function Random strobe
CH7	Dimmer Speed	000↔009 010↔049 050↔099 100↔149 150↔199 200↔255	Preset dimmer speed from menu Off Dimmer speed 1 Fast Dimmer speed 2 Dimmer speed 3 Dimmer speed 4 Slow

### SSP (11CH) MODE

CH	Name	Value	Function
CH1	Dimmer	000↔255	General dimmer
CH2	Red	000↔255	Red
CH3	Green	000↔255	Green

CH4	Blue	000←→255	Blue
CH5	Lime	000←→255	Lime
CH6	Amber	000←→255	Amber
CH7	Cyan	000←→255	Cyan
CH8	Deep blue	000←→255	Deep blue
CH9	Preset color	000←→010	No function
		011←→020	L106
		021←→030	R05
		031←→040	L194
		041←→050	R54
		051←→060	L019
		061←→070	R08
		071←→080	R89
		081←→090	R86
		091←→100	L213
		101←→110	R377
		111←→120	R80
		121←→130	L202
		131←→140	L328
		141←→150	R3314
		151←→160	L101
		161←→170	L768
		171←→255	No function
CH10	Strobe	000←→009	No Function
		010←→099	Strobe from slow to fast ( 0-25Hz)
		100←→109	No Function
		110←→179	Lightning strobe

CH10	Strobe	180←→189 190←→255	No Function Random strobe
CH11	Dimmer Speed	000←→009 010←→049 050←→099 100←→149 150←→199 200←→255	Preset dimmer speed from menu Off Dimmer speed 1 Fast Dimmer speed 2 Dimmer speed 3 Dimmer speed 4 Slow

### TOUR (14CH) MODE

CH	Name	Value	Function
CH1	Dimmer	000←→255	General dimmer
CH2	Red	000←→255	Red
CH3	Green	000←→255	Green
CH4	Blue	000←→255	Blue
CH5	Lime	000←→255	Lime
CH6	Amber	000←→255	Amber
CH7	Cyan	000←→255	Cyan
CH8	Deep blue	000←→255	Deep blue
CH9	Preset color	000←→010 011←→020 021←→030 031←→040 041←→050 051←→060 061←→070 071←→080	No function L106 R05 L194 R54 L019 R08 R89

CH9	Preset color	081←→090 091←→100 101←→110 111←→120 121←→130 131←→140 141←→150 151←→160 161←→170 171←→255	R86 L213 R377 R80 L202 L328 R3314 L101 L768 No function
CH10	LED Macro	000←→010 011←→030 031←→050 051←→070 071←→090 091←→110 111←→130 131←→150 151←→170 171←→195 196←→200 201←→205 206←→210 211←→215 216←→220 221←→225 226←→230	No function Macro 1 (R=255, G=0->255, B=0) Macro 2 (R=255->0, G=255,B=0) Macro 3 (R=0, G=255, B=0->255) Macro 4 (R=0, G=255->0, B=255) Macro 5 (R=0->255, G=0, B=255) Macro 6 (R=255, G=0, B=255->0) Macro 7 (R=255,G=0->255,B=0->255) Macro 8 (R=255->0, G=255->0, B=0->255) All led full output (R=255,G=255,B=255) 2700K 3000K 3200K 3500K 4000K 4200K 4500K

CH10	LED Macro	231←→235	5600K
		236←→240	6000K
		241←→245	6500K
		246←→250	7200K
		251←→255	8000K
CH11	Strobe	000←→009	No Function
		010←→099	Strobe from slow to fast (0-25Hz)
		100←→109	No Function
		110←→179	Lightning strobe
		180←→189	No Function
		190←→255	Random strobe
CH12	Auto	000←→009	No Function
		010←→127	Auto slip run
		128←→255	Auto skip run
CH13	Auto speed	000←→255	Auto speed adjust
CH14	Dimmer Speed	000←→009	Preset dimmer speed from menu
		010←→049	Off
		050←→099	Dimmer speed 1 Fast
		100←→149	Dimmer speed 2
		150←→199	Dimmer speed 3
		200←→255	Dimmer speed 4 Slow

### TOUR 16 (22CH) MODE

CH	Name	Value	Function
CH1	Dimmer	000←→255	General dimmer
CH2	Dimmer fine	000←→255	General dimmer fine
CH3	Red	000←→255	Red

CH4	Red fine	000←→255	Red fine
CH5	Green	000←→255	Green
CH6	Green fine	000←→255	Green fine
CH7	Blue	000←→255	Blue
CH8	Blue fine	000←→255	Blue fine
CH9	Lime	000←→255	Lime
CH10	Lime fine	000←→255	Lime fine
CH11	Amber	000←→255	Amber
CH12	Amber fine	000←→255	Amber fine
CH13	Cyan	000←→255	Cyan
CH14	Cyan fine	000←→255	Cyan fine
CH15	Deep blue	000←→255	Deep blue
CH16	Deep blue fine	000←→255	Deep blue fine
CH17	Preset color	000←→010	No function
		011←→020	L106
		021←→030	R05
		031←→040	L194
		041←→050	R54
		051←→060	L019
		061←→070	R08
		071←→080	R89
		081←→090	R86
		091←→100	L213
		101←→110	R377
		111←→120	R80
		121←→130	L202
	131←→140	L328	



CH17	Preset color	141↔150 151↔160 161↔170 171↔255	R3314 L101 L768 No function
CH18	LED Macro	000↔010 011↔030 031↔050 051↔070 071↔090 091↔110 111↔130 131↔150 151↔170 171↔195 196↔200 201↔205 206↔210 211↔215 216↔220 221↔225 226↔230 231↔235 236↔240 241↔245 246↔250 251↔255	No function Macro 1 (R=255, G=0->255, B=0) Macro 2 (R=255->0, G=255,B=0) Macro 3 (R=0, G=255, B=0->255) Macro 4 (R=0, G=255->0, B=255) Macro 5 (R=0->255, G=0, B=255) Macro 6 (R=255, G=0, B=255->0) Macro 7 (R=255,G=0->255,B=0->255) Macro 8 (R=255->0, G=255->0, B=0->255) All led full output (R=255,G=255,B=255) 2700K 3000K 3200K 3500K 4000K 4200K 4500K 5600K 6000K 6500K 7200K 8000K
CH19	Strobe	000↔009	No Function

		010↔099 100↔109 110↔179 180↔189 190↔255	Strobe from slow to fast (0-25Hz) No Function Lightning strobe No Function Random strobe
CH20	Auto	000↔009 010↔127 128↔255	No Function Auto slip run Auto skip run
CH21	Auto speed	000↔255	Auto speed adjust
CH22	Dimmer Speed	000↔009 010↔049 050↔099 100↔149 150↔199 200↔255	Preset dimmer speed from menu Off Dimmer speed 1 Fast Dimmer speed 2 Dimmer speed 3 Dimmer speed 4 Slow

### PIXEL 1 (5CH) MODE

CH	Name	Value	Function
CH1	Dimmer	000↔255	General dimmer
CH2	Red	000↔255	Red
CH3	Green	000↔255	Green
CH4	Blue	000↔255	Blue
CH5	Preset color	000↔010 011↔020 021↔030 031↔040 041↔050	No function L106 R05 L194 R54

CH5	Preset color	051↔060	L019
		061↔070	R08
		071↔080	R89
		081↔090	R86
		091↔100	L213
		101↔110	R377
		111↔120	R80
		121↔130	L202
		131↔140	L328
		141↔150	R3314
		151↔160	L101
		161↔170	L768
		171↔255	No function

### PIXEL 2 (9CH) MODE

CH	Name	Value	Function
CH1	Dimmer	000↔255	General dimmer
CH2	Red	000↔255	Red
CH3	Green	000↔255	Green
CH4	Blue	000↔255	Blue
CH5	Lime	000↔255	Lime
CH6	Amber	000↔255	Amber
CH7	Cyan	000↔255	Cyan
CH8	Deep blue	000↔255	Deep blue
CH9	Preset color	000↔010	No function
		011↔020	L106
		021↔030	R05

		031←→040	L194
		041←→050	R54
		051←→060	L019
		061←→070	R08
		071←→080	R89
		081←→090	R86
		091←→100	L213
		101←→110	R377
		111←→120	R80
		121←→130	L202
		131←→140	L328
		141←→150	R3314
		151←→160	L101
		161←→170	L768
		171←→255	No function

## VII TECHNICAL SPECIFICATION

### Light Sources

- LED: 3W high brightness LED Lamps
- Lifespan: 50000h
- Color: red, green, blue, lime, amber, cyan, deep blue 7 color mixing

### Optics

- Beam angle: 30degree(10degree option)
- Dimmer: 0-100% linear dimmer
- Color system: HSIC(Intensity, Hue, Hue Fine, Saturation)
- Color temperature: 2700K-8000K

- Strobe: 1-25 times/second

- CRI: >90Ra(for white)

### **Light Output**

- Optimal projection distance: 2-8m

### **Control**

- Control mode: standard DMX-512; Master/slave; Demo

- DMX channel: 7CH/9CH/11CH/15CH/17CH/22CH

- Display of control panel: LCD display + 4 buttons LCD display

### **Power Supply**

- Related voltage: AC100V-240V, 50/60Hz

- Related power: 210W

### **Construction**

- Body dimension: D622\*W205\*H205mm

- Net weight: 10.5kg

- Shell color: black

- Shell material: aluminium alloy

### **Working Environment**

- Working temperature: -25-40°C

- Cooling: aluminum radiator body

- Protection rating: IP20