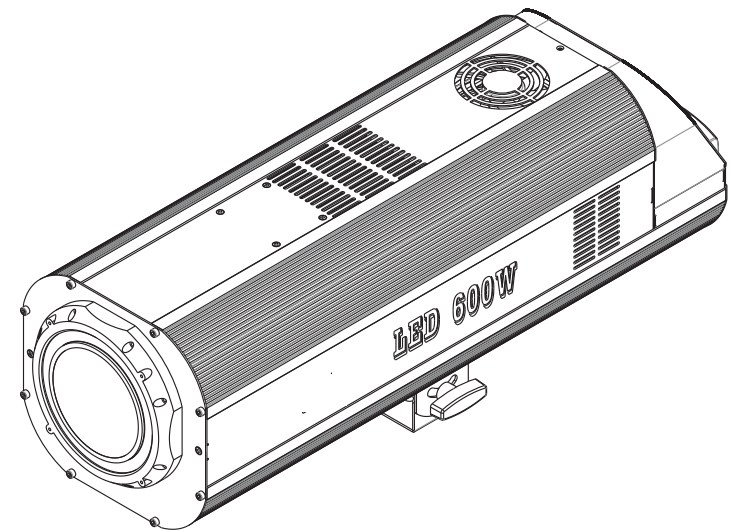


SPEKTRA LED600W FOLLOW SPOT



USER MANUAL

Ver: 1.0

四、 Cleaning and maintenance

* In order to output the optimum light efficiency, require regular cleaning optical lenses, both inside and outside cleaning frequency depends on the device using the environment; Humidity. Lampblack degrees, or special dirty environment can lead to the device on the optical parts generated a lot of accumulation.

* With a soft cloth to clean the lens.

* Keep dry.

* Advice once every 20 days to clean the external optical element, cleaning an internal optical element every 30/60 day.

五、 Declaration

The product has perfect performance and integrity packing. All users should be strictly comply with the warning and operating instructions as stated. Or we aren't in charge of any result by misusing. Any damage resulting by misuse is not within the company's warranty. Any fault or problem caused by Note: All information is subject to change without prior notice.

Introduction

Thank you for choose our products. Please note that this product and other products, its design and production all goes through comprehensive quality control, to ensure the products with excellent properties and the maximum to meet customer expectations and requirements.

一、 Safety information and matters needing attention.

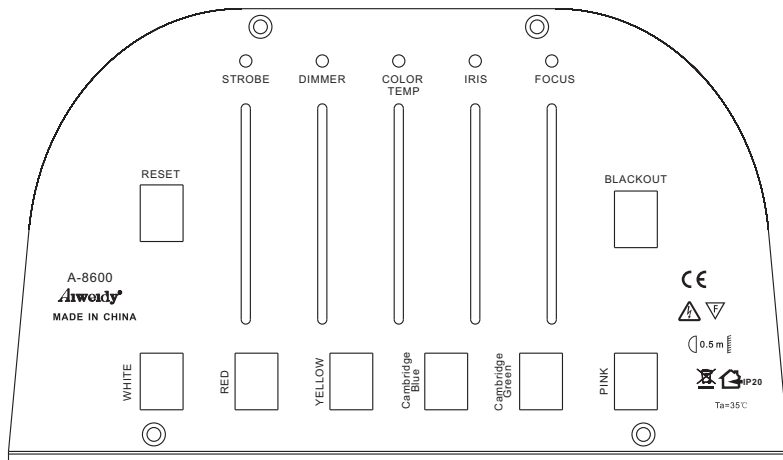
Because this product will fire, high temperature, electrical short circuit, ultraviolet radiation and falling reason to cause damage or harm. Electricity use or before installation, please read this user manual, as shown in the following safety measures and manual and warning signs in the lamp body, if there is any operation questions, please contact with your supplier.

- Be careful to Open it and confirm did not appear damage phenomenon during the transport!
- In order to ensure safety, the yellow & green line grounding is very important. Rope hanging installation must be equipped with insurance.
- Must be conducted by qualified personnel of electrical installation work.
- In order to ensure good ventilation, at least 15 cm away from the wall. To ensure that the vent not blocked.
- To prevent liquid or objects into the chassis, if enter, immediately disconnect the main power supply.
- In the event of serious operational problems, immediately turn off. Don't try to repair themselves. Non-professional qualified personnel of maintenance may result in serious damage or malfunction. Problems please contact the dealer authorized technical personnel or manufacturers contact technical personnel.
- Electrical standards must be used with overload and electric leakage protection to the AC power.
- Please don't refitting manufacturer of lamps and lanterns, or use a provide fittings.
- Dismantling the light bulb, insurance or other parts, maintenance, please cut off power supply.

二、Technology parameter

- ☆ Input Voltage: AC100—240V 50 HZ/ 60HZ
- ☆ Power : 700W
- ☆ Lamp Power : 600W LED, Color Temperture: 6000K and 7500K can be choosed.
- ☆ Lamp Lifetime : 50000H
- ☆ Optical lens : Adopt multiple high precision lens, which diameter is 123mm.
- ☆ Lens Angle : 10°
- ☆ Projection distance : 100-150M effection are the best.
- ☆ Color Wheel : 1 color wheel(include 5 color+white), 1 color temperature wheel (include 3200K.4500K and 5600K), color is very beautiful and bright.
- ☆ Strobe : Electronic strobe 0.5—30/s, Speed can be adjustable.
- ☆ Dimmer: 0-100% Linear dimmer
- ☆ Focus: 0-100% Linear focus
- ☆ Iris: 0-100%
- ☆ Control mode : Strobe, Dimmer, Focus, Iris, Color tempreature choose(push rod control) color choose (press the button control), with white button control, reset and blackout button control.
- ☆ Working conditions : ~20°—40°
- ☆ Cooling System : The axial fan
- ☆ Protection : IP20
- ☆ N.W : 23KG
- ☆ Light Size : 782.5mm(L) * 260mm(W) * 243.5mm (H)

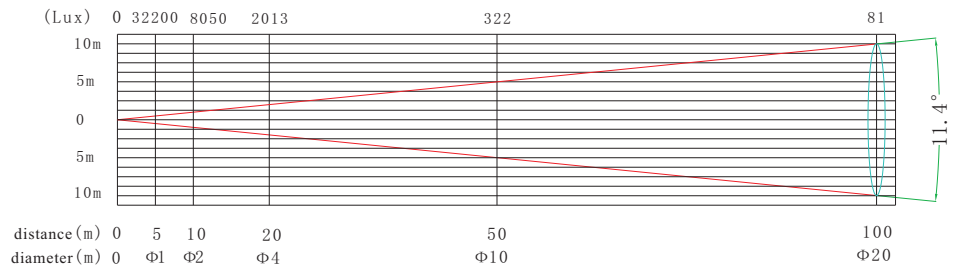
三、 How to control the system



1.CONTROL PANEL

- ☆ RESET: all function reset.
- ☆ BLACKOUT: Touch closed light, touch again back to the original scene.
- ☆ STROBE: push the handspike from down to up,the strobe speed change from slow to fast.
- ☆ DIMMER: push the handspike from down to up,the brightness change from dark to bright.
- ☆ COLOR TEMP:push the handspike from down to up,in sequence 3200K.4500K and 5600K.
- ☆ IRIS: push the handspike from down to up,the iris change from big to small.
- ☆ FOCUS: 0-100% linearity focus.
- ☆ WHITE: Touch change to white color.
- ☆ RED: Touch change to red color.
- ☆ YELLOW: Touch change to yellow color.
- ☆ Cambridge Blue: Touch change to blue color.
- ☆ Cambridge Green: Touch change to green color.
- ☆ PINK: Touch change to pink color.

2.Beam mode indicator diagram



3. Adjust the light

Adjusting aperture and focusing of lamps and lanterns can let light projection on the exposure is clear.

4.The spotlight operation

Support the lamps and lanterns is installed on the bracket after installation is firm, pay attention to the center of gravity balance of lamps and lanterns, make the operation more conveniently.